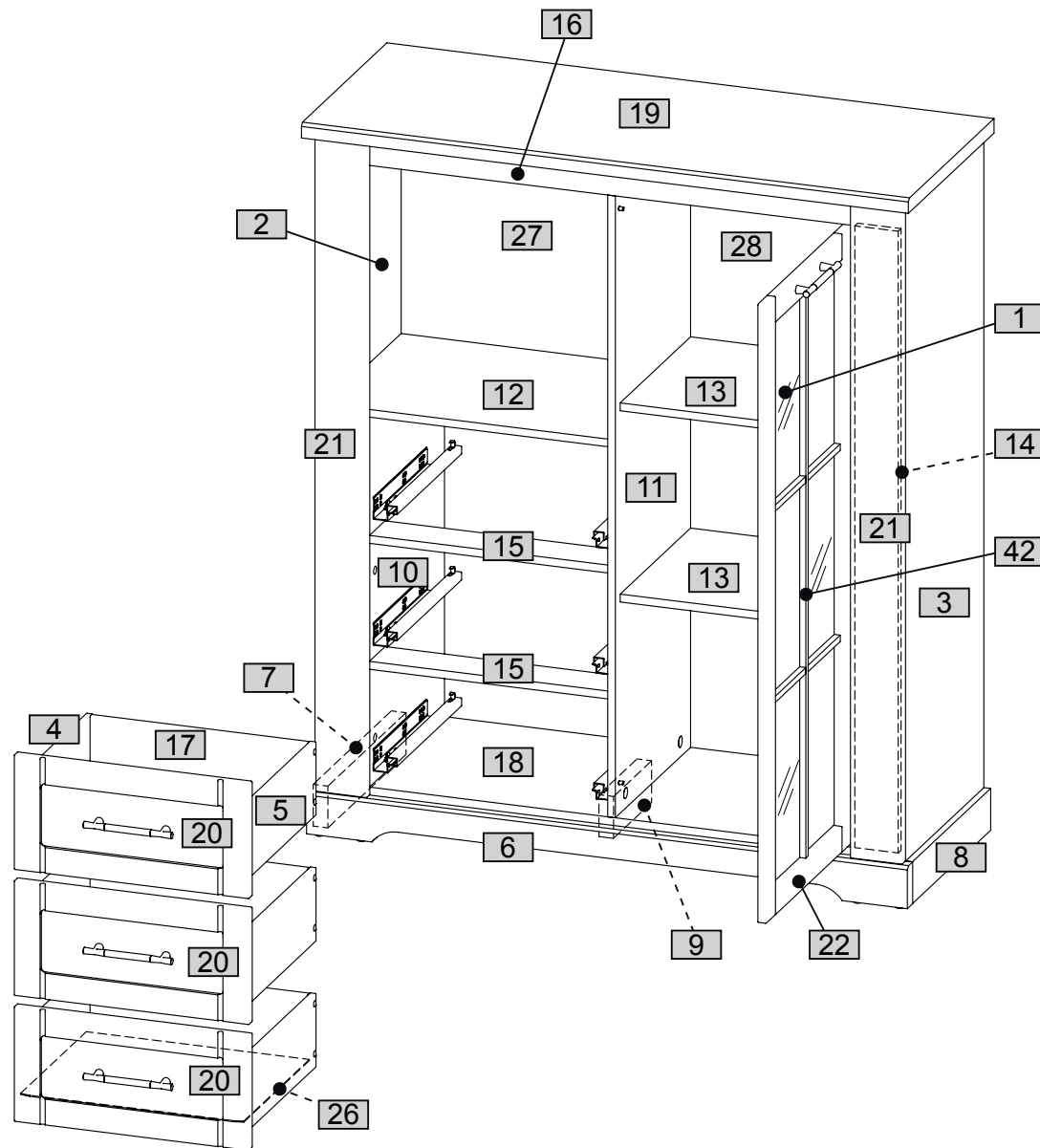







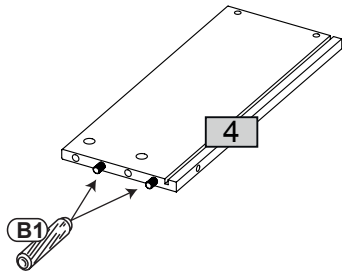
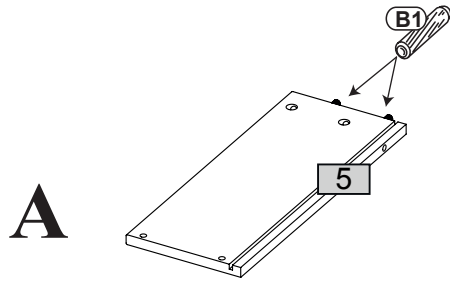
| Nr | Ausmaß | | | St | Colli |
|----|--------|-----|----|----|-------|
| 1 | 1104 | 370 | 4 | 1 | 2 |
| 2 | 1255 | 415 | 15 | 1 | 2 |
| 3 | 1255 | 415 | 15 | 1 | 2 |
| 4 | 350 | 140 | 12 | 3 | 1 |
| 5 | 350 | 140 | 12 | 3 | 1 |
| 6 | 1150 | 80 | 28 | 1 | 1 |
| 7 | 411 | 80 | 28 | 1 | 1 |
| 8 | 411 | 80 | 28 | 1 | 1 |
| 9 | 200 | 80 | 28 | 1 | 1 |
| 10 | 708 | 394 | 15 | 1 | 1 |
| 11 | 1240 | 395 | 15 | 1 | 1 |
| 12 | 539 | 394 | 15 | 1 | 1 |
| 13 | 539 | 370 | 15 | 2 | 1 |
| 14 | 1190 | 83 | 15 | 1 | 2 |
| 15 | 456 | 82 | 15 | 2 | 2 |
| 16 | 1092 | 50 | 15 | 1 | 2 |
| 17 | 416 | 140 | 12 | 3 | 2 |
| 18 | 1093 | 415 | 15 | 1 | 1 |
| 19 | 1162 | 450 | 28 | 1 | 1 |
| 20 | 450 | 220 | 16 | 3 | 2 |
| 21 | 1255 | 100 | 16 | 2 | 2 |
| 22 | 1184 | 450 | 16 | 1 | 2 |
| 26 | 427 | 349 | 2 | 3 | 1 |
| 27 | 1254 | 553 | 2 | 1 | 2 |
| 28 | 1254 | 553 | 2 | 1 | 2 |
| 42 | 1084 | 12 | 12 | 1 | 2 |



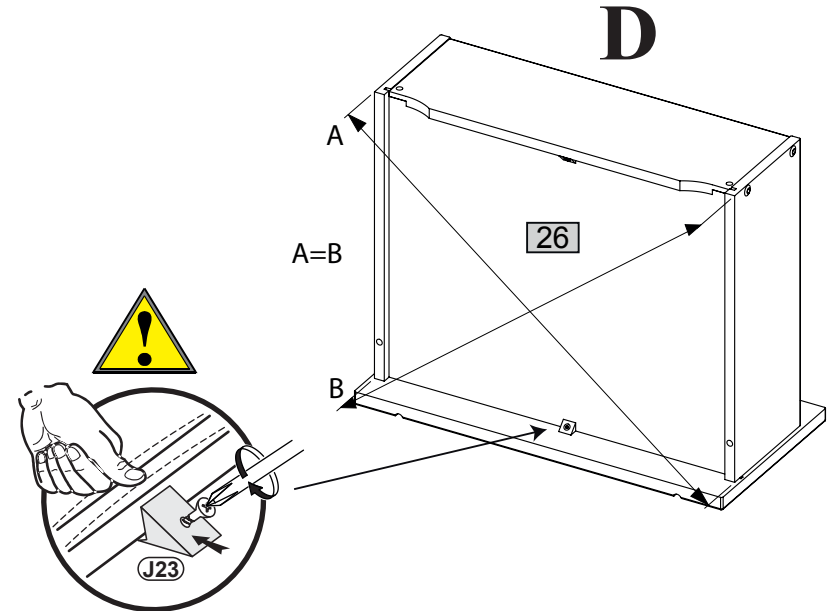
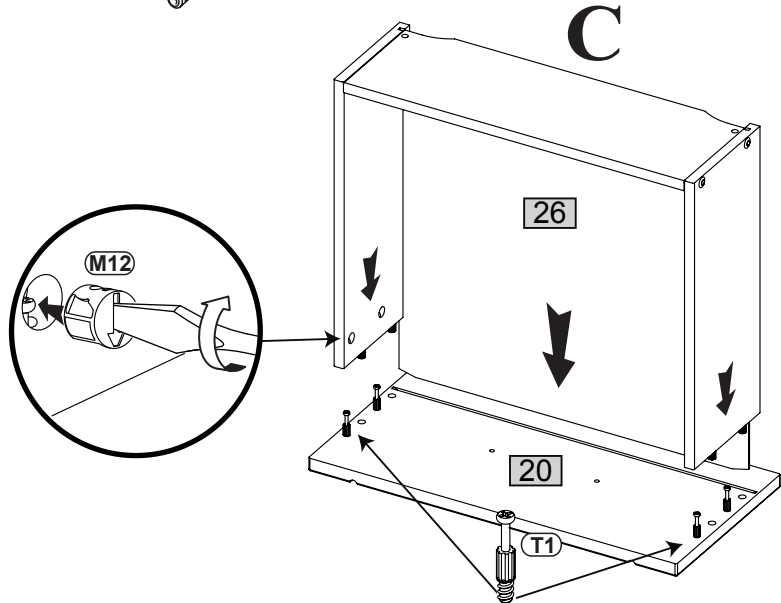
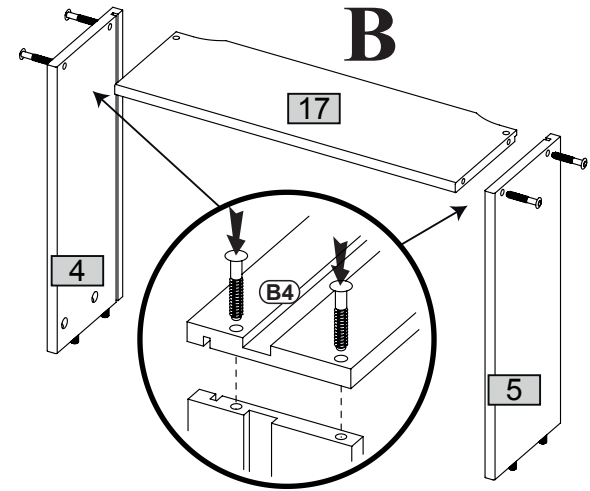
0 10 20 30 40 50 60 70 80 90 100 110 120 130 140 150 160 170 180 190 200



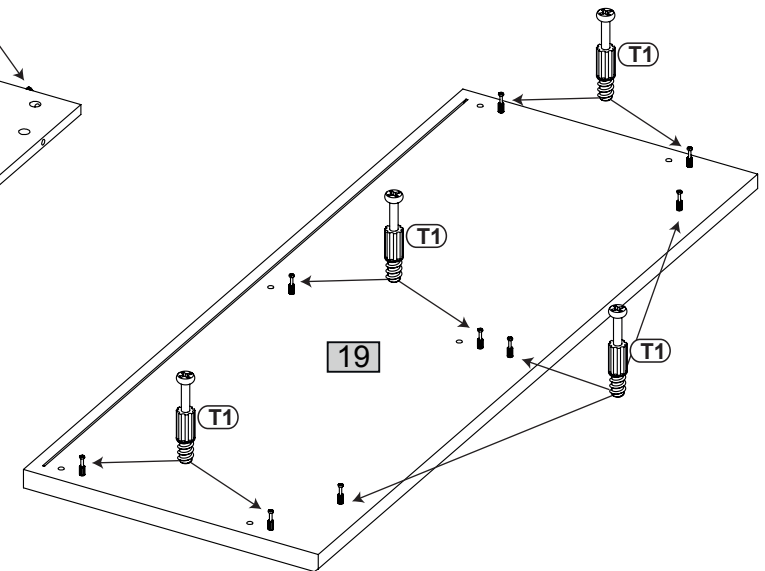
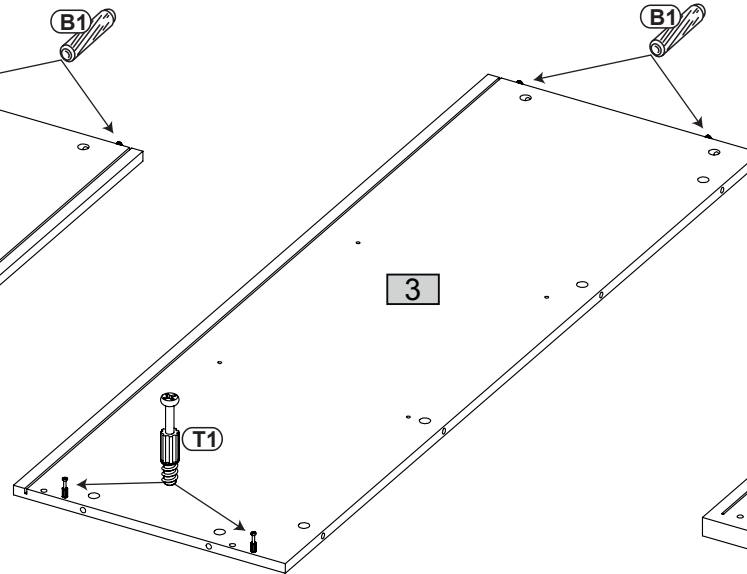
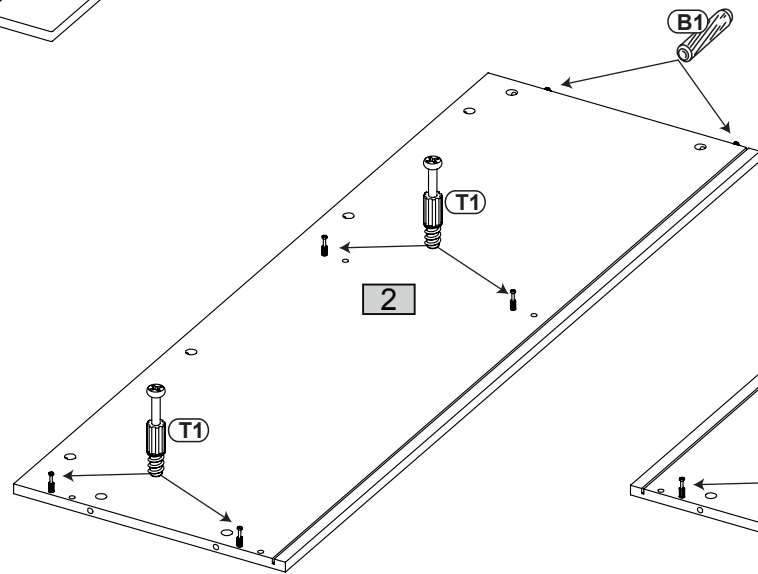
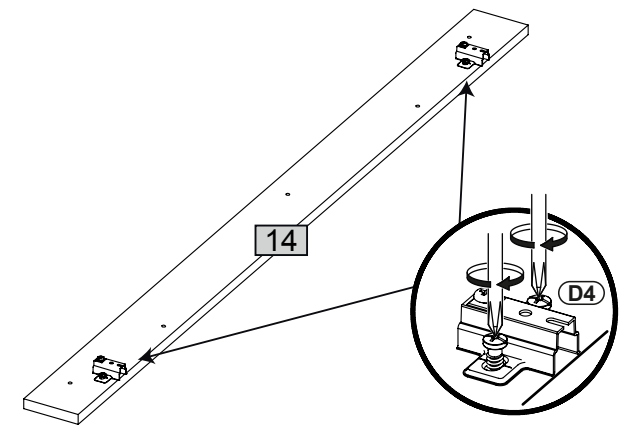
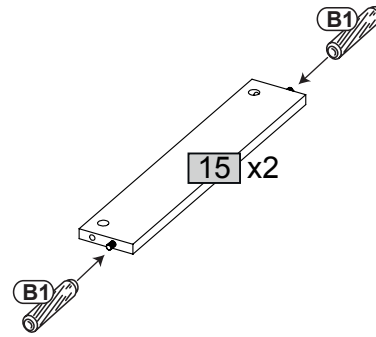
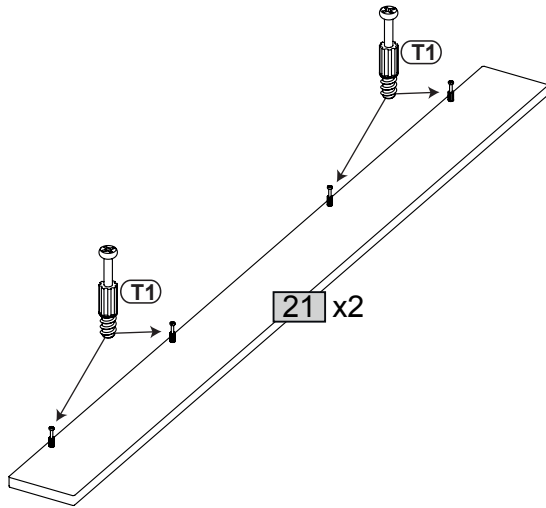
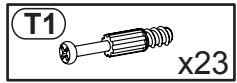
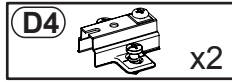
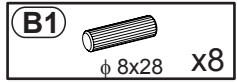
- 1** **B1**  $\phi 8 \times 28$ x12
- M12**  x12
- T1**  x12
- B4**  x12
- J23**  x6



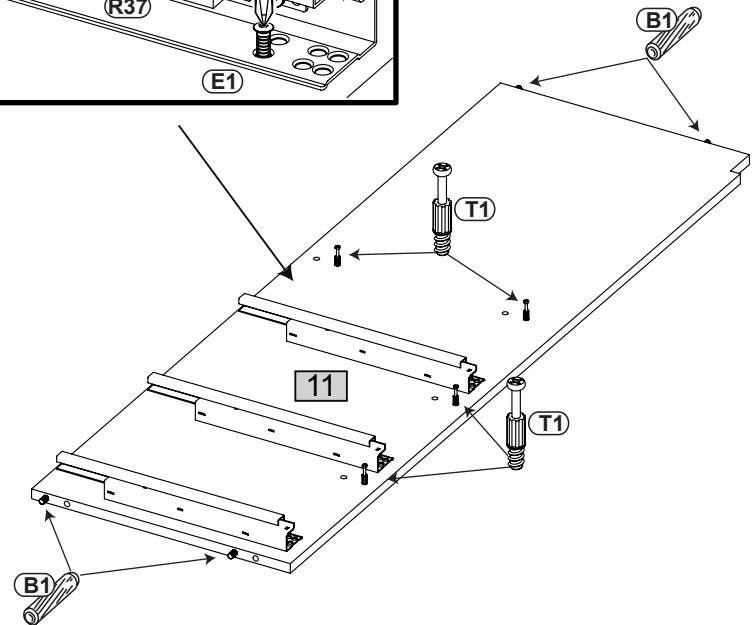
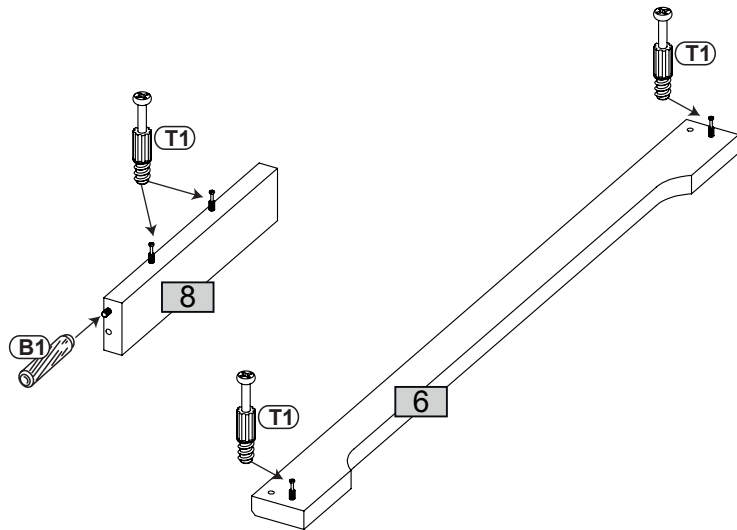
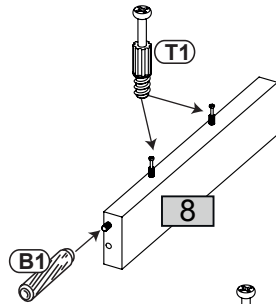
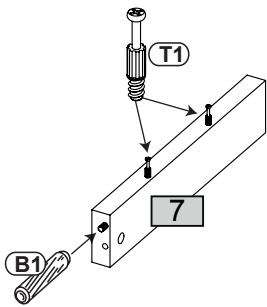
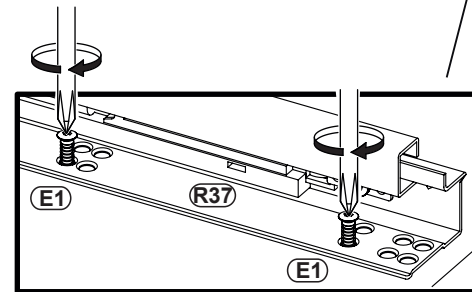
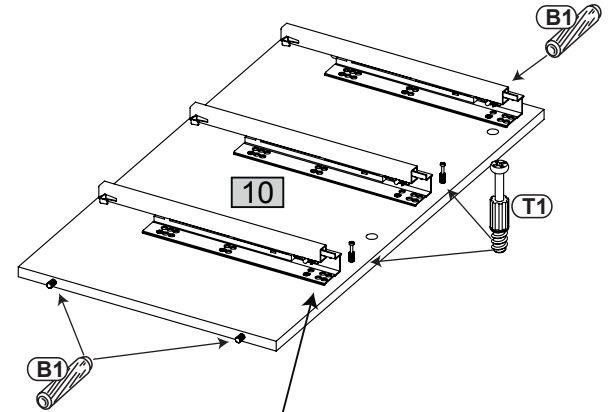
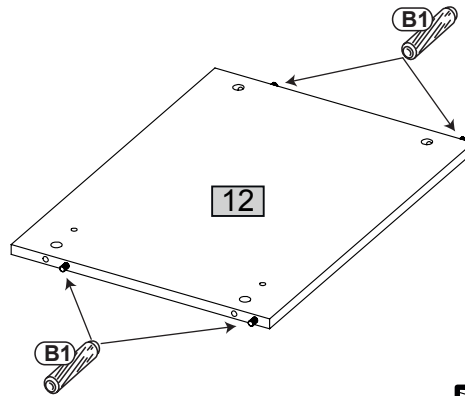
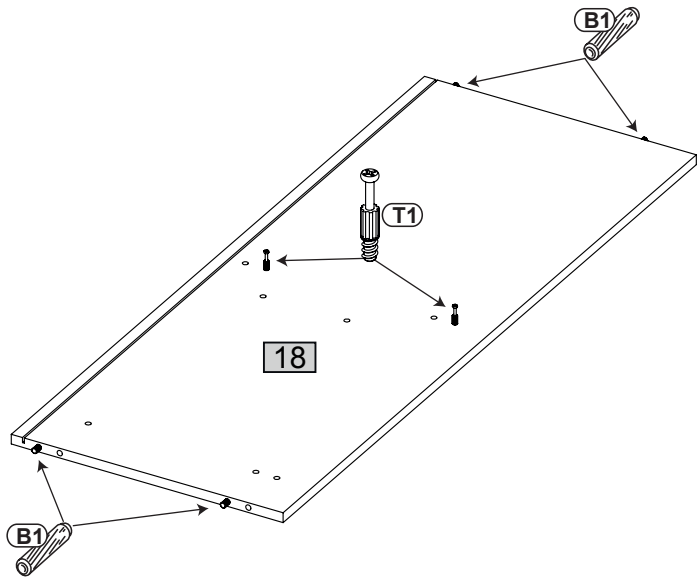
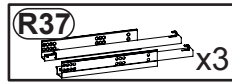
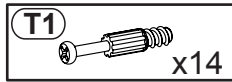
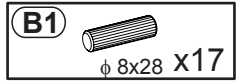
x3



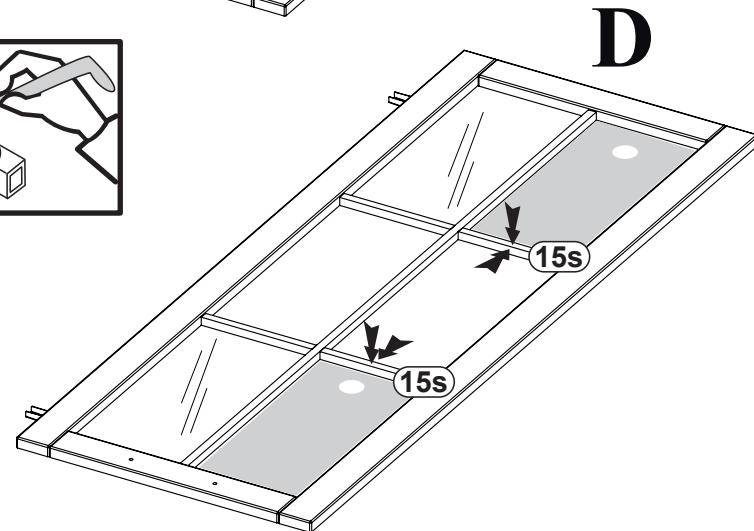
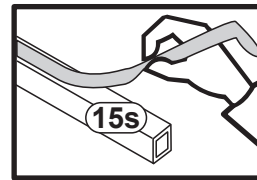
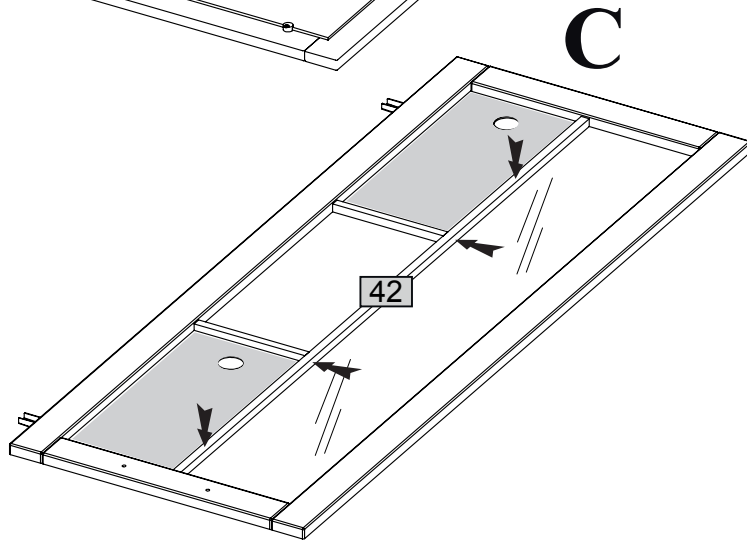
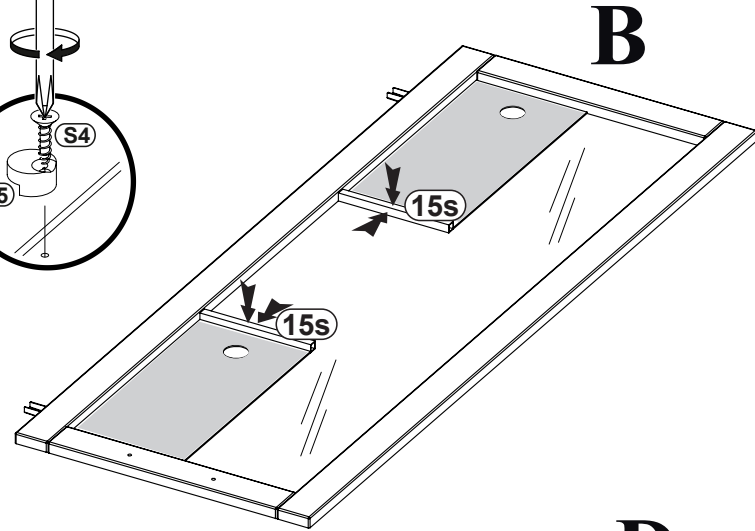
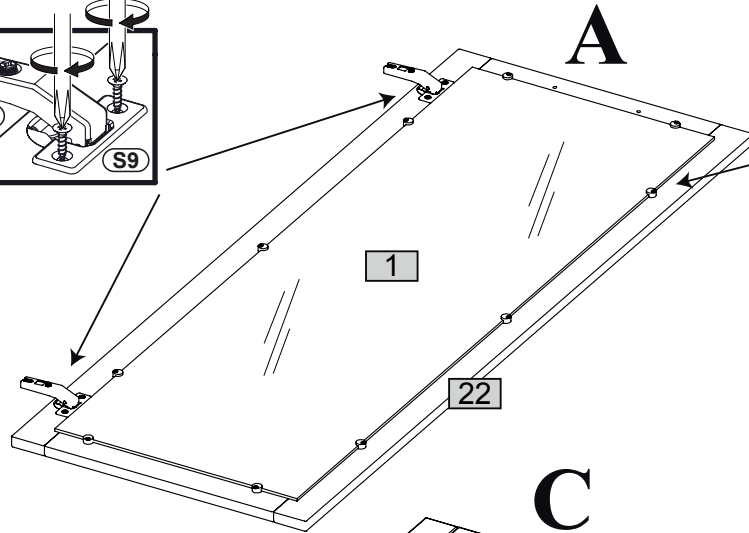
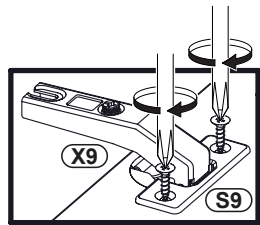
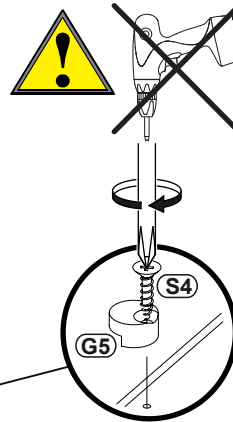
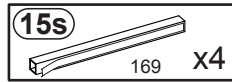
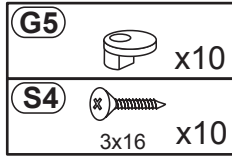
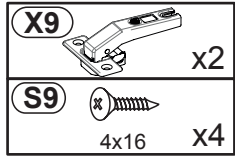
2



3

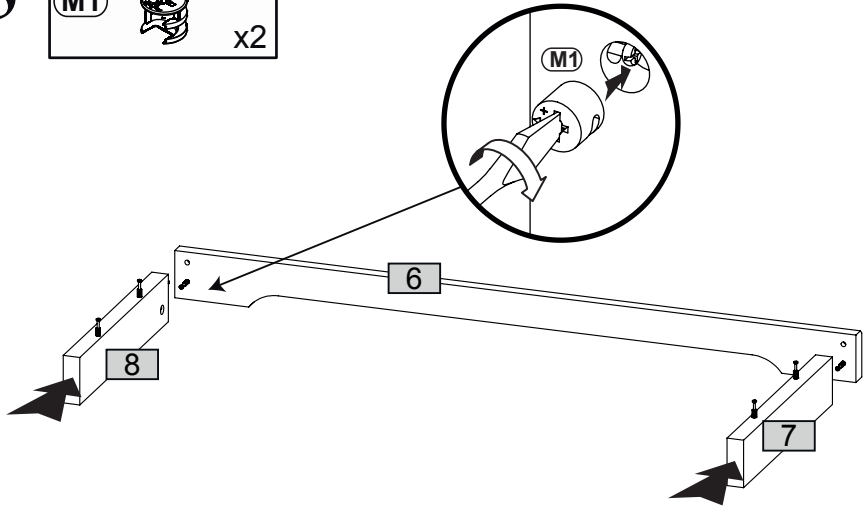


4



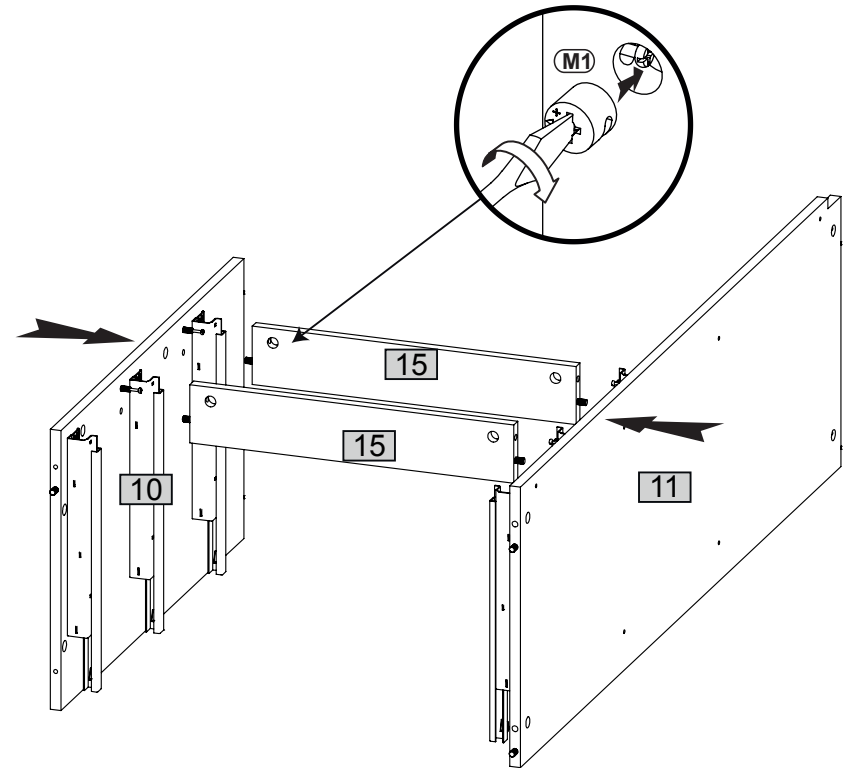
5

M1  x2



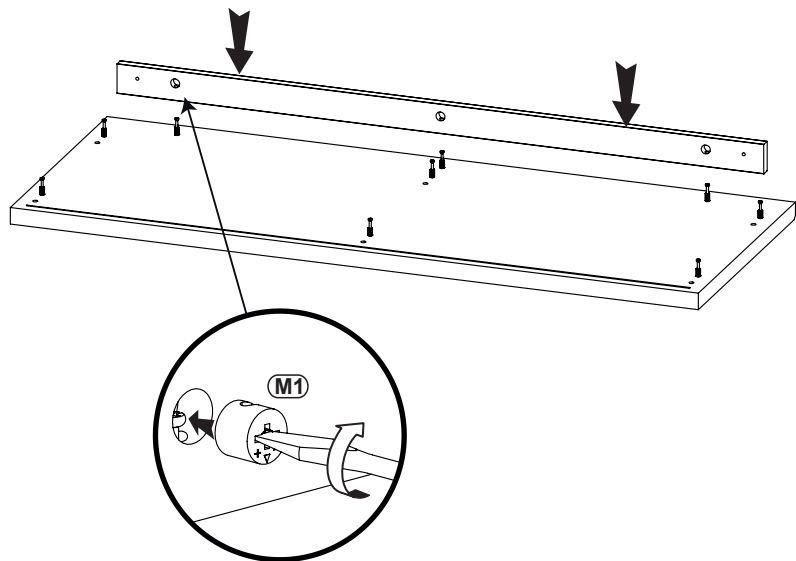
7

M1  x4

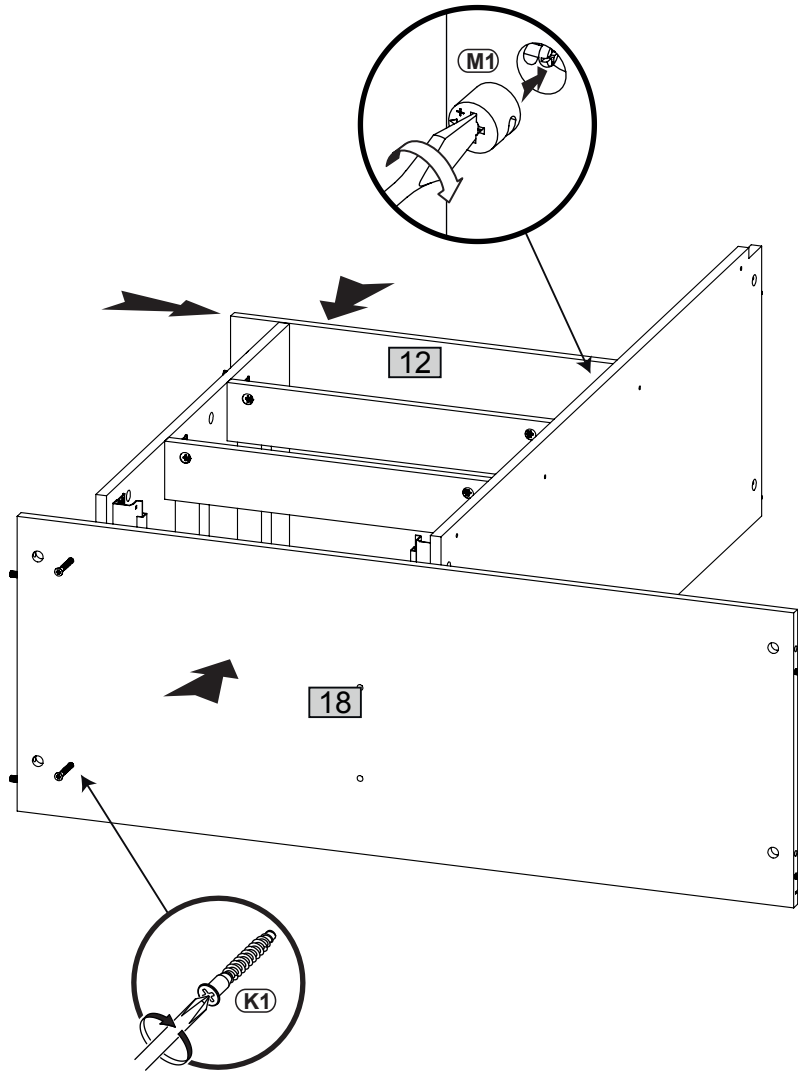
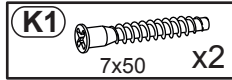


6

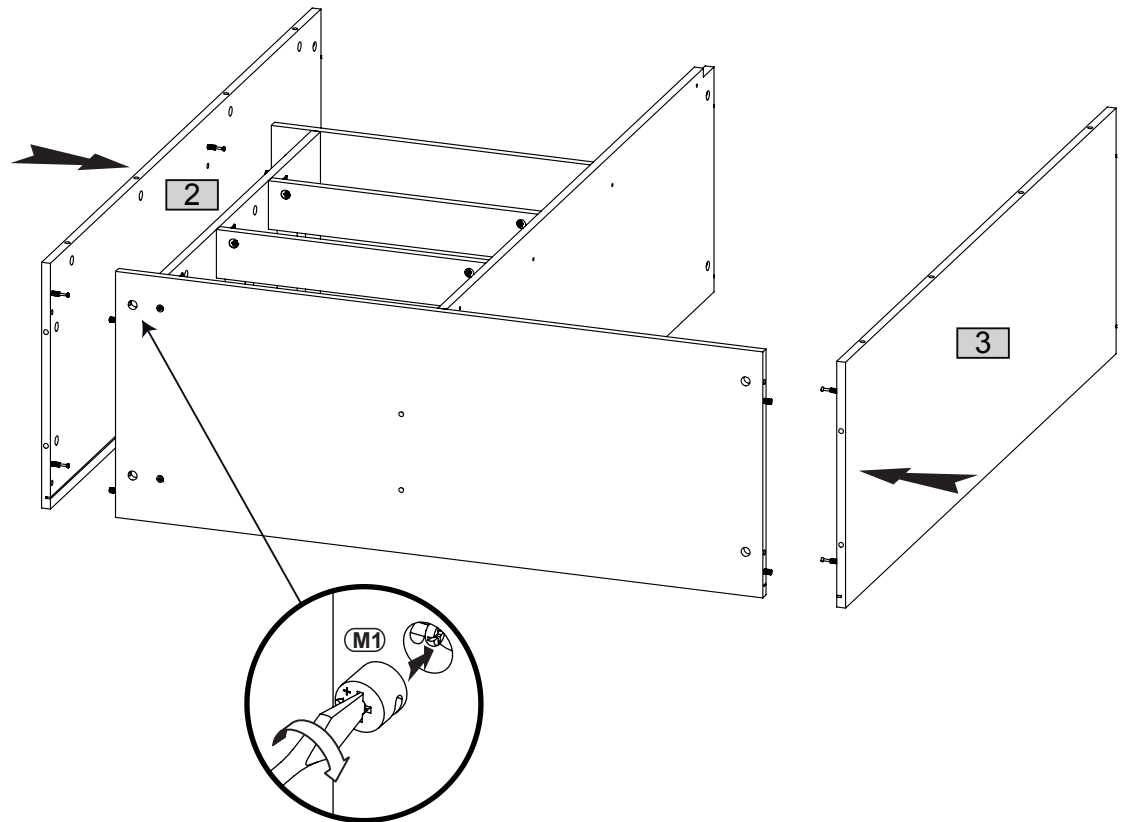
M1  x3



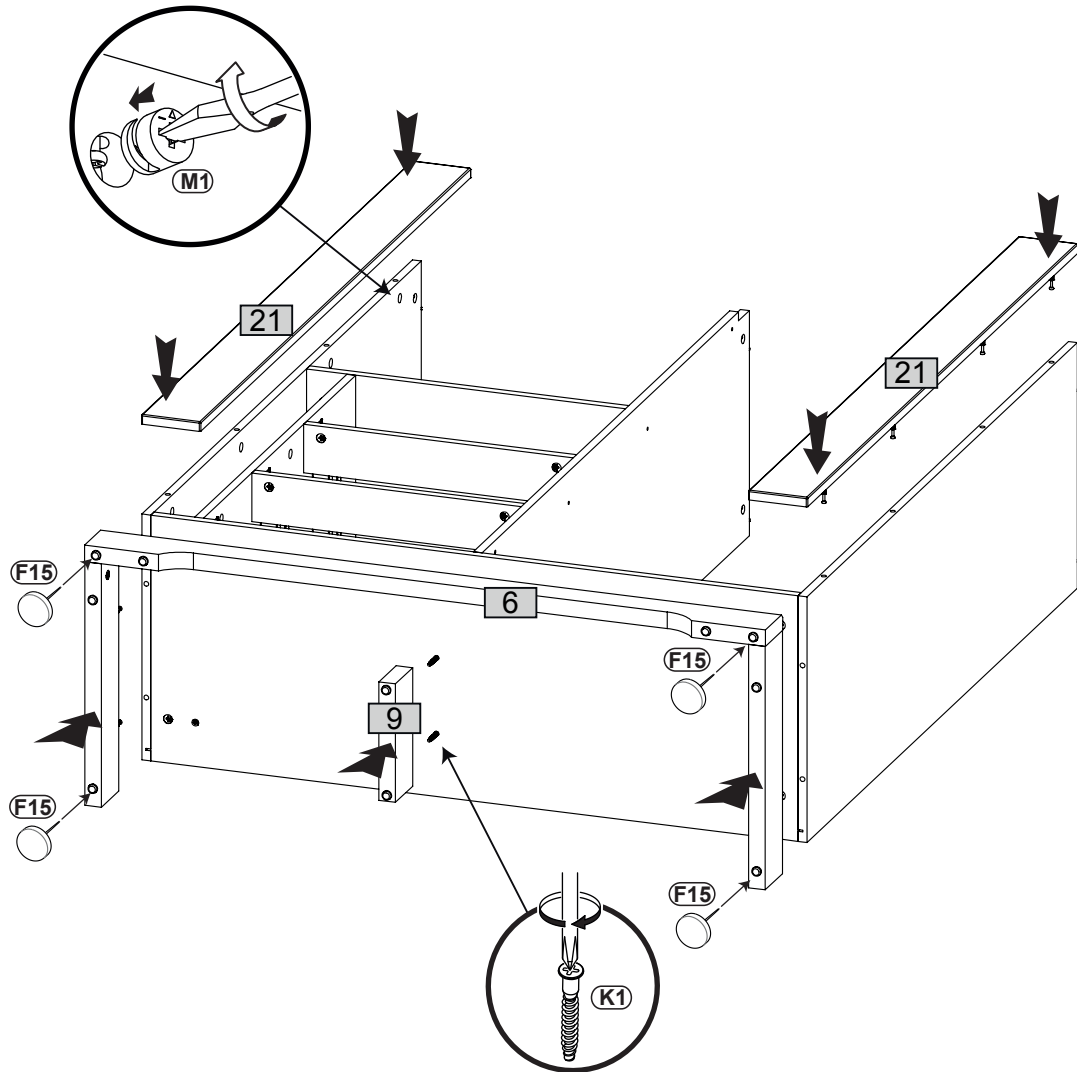
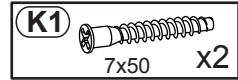
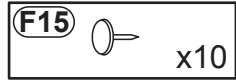
8



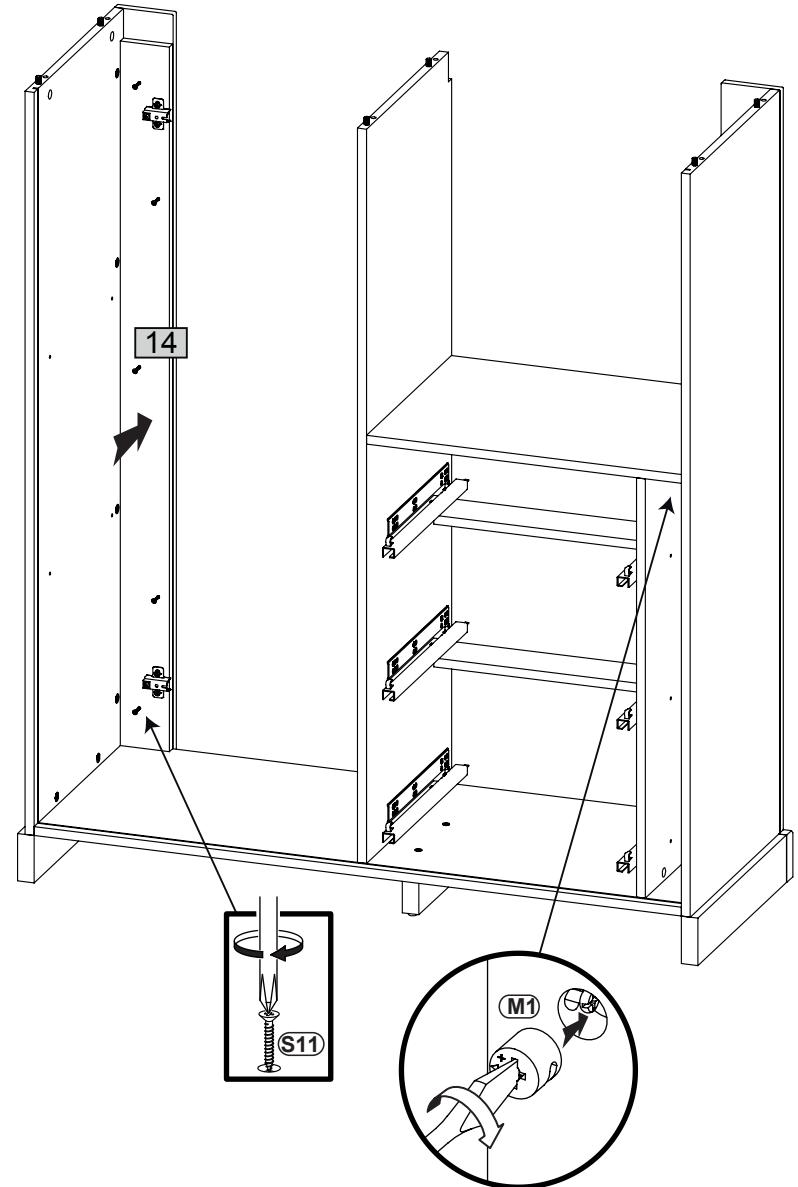
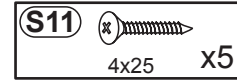
9



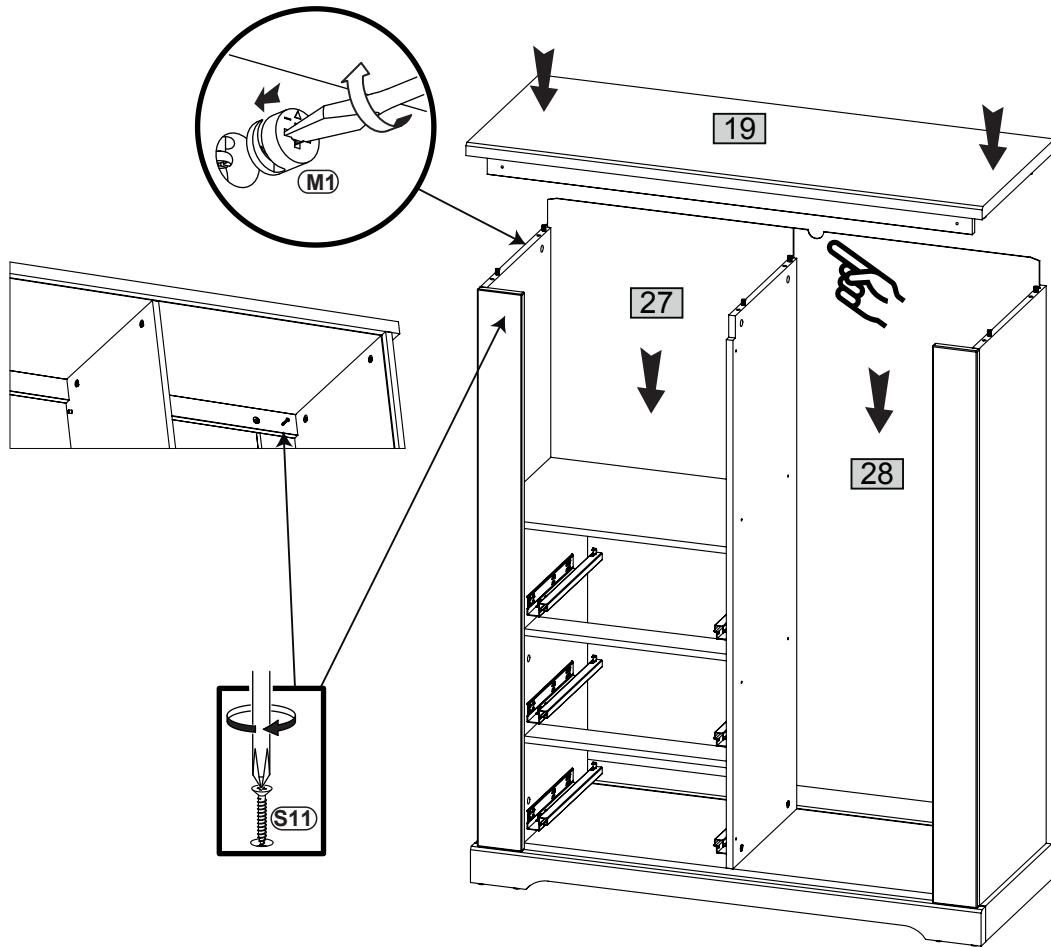
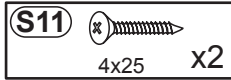
10



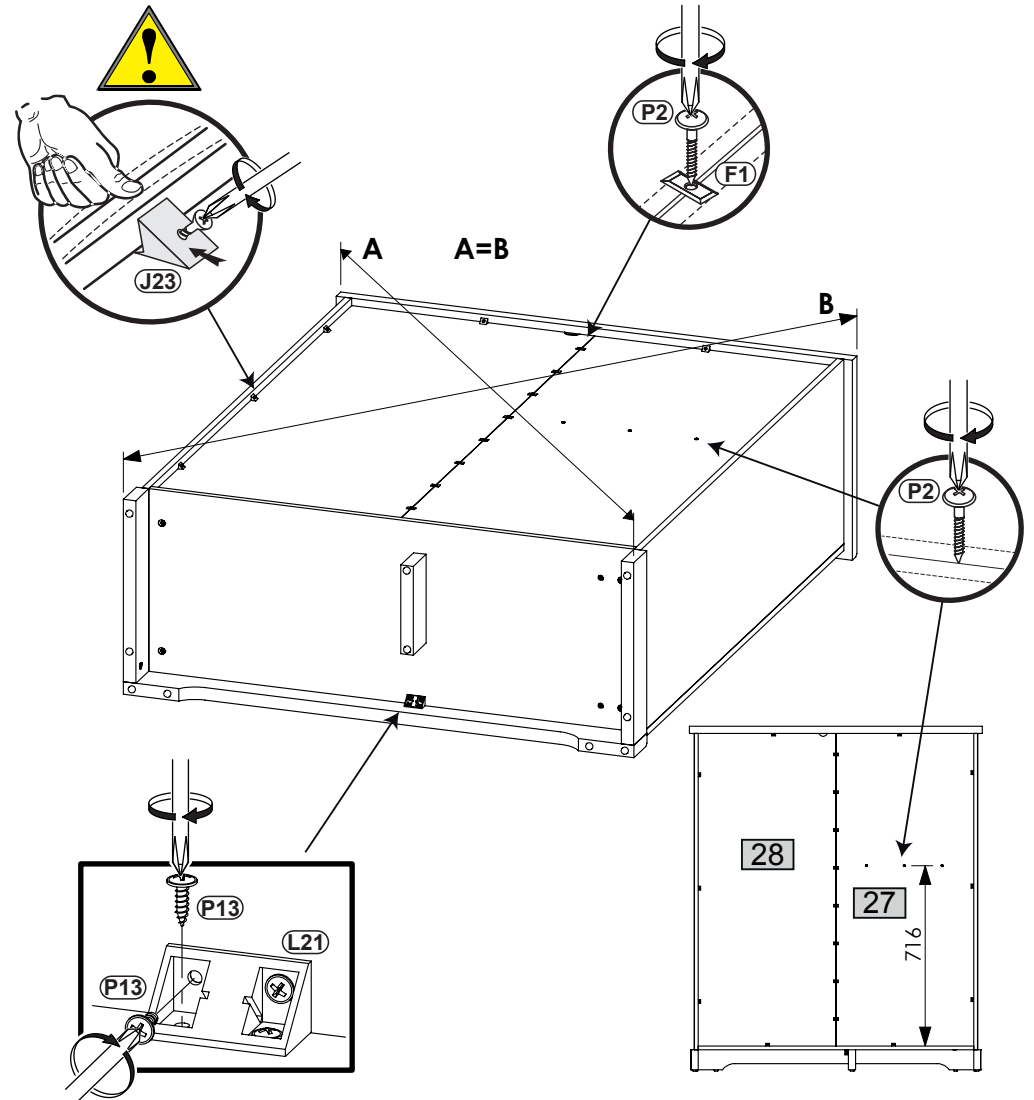
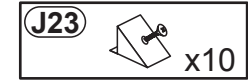
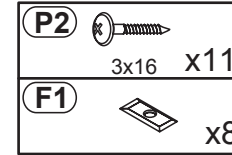
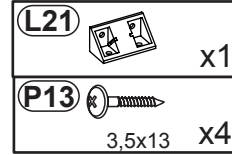
11



12



13



14

- U42** x4
- A14** M4x22 x2
- A3** M4x15 x6

- J11** x1
- P13** 3,5x13 x2

- C2** ϕ 20 x18

- W1** x8

- W2** x2

- P2** 3x16 x6

